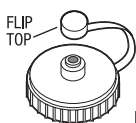


INSTRUCTIONS FOR USE WITH ADAPTER CAP AND ORAL SYRINGE

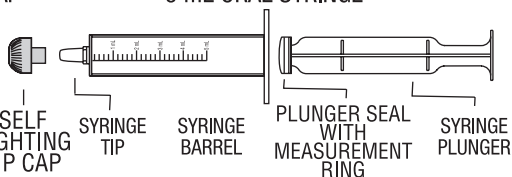
CONTENTS

ADAPTER CAP*



FLIP TOP
SELF RIGHTING TIP CAP

5 mL ORAL SYRINGE



***WARNING: ADAPTER CAP IS NOT CHILD-RESISTANT.**

Keep out of reach of children.

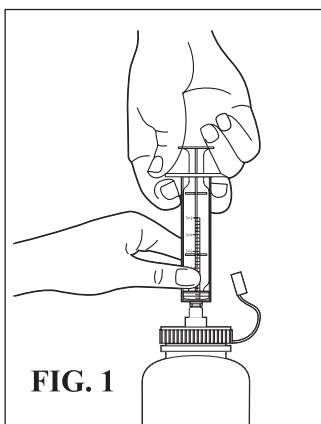


FIG. 1

1. Remove the existing white cap on the bottle.
2. Twist the blue adapter cap securely into place on the top of the bottle.
3. Remove self-righting tip cap of the oral syringe. Ensure the syringe plunger is fully inserted to the syringe tip (**FIG. 1**).

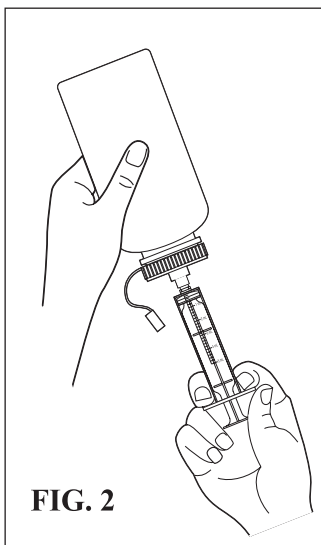


FIG. 2

4. Carefully turn the bottle upside down. While holding the bottle securely with one hand, pull back the plunger of the oral syringe downward with the other hand so that the liquid is drawn from the bottle into the syringe (**FIG. 2**).
5. For accurate measurement, use the position of the measurement ring. Add 0.2 mL for every line on which the measurement ring rests below the nearest whole number. For example, two lines below the "1" mark equals 1.4 mL. (**FIG. 3**).

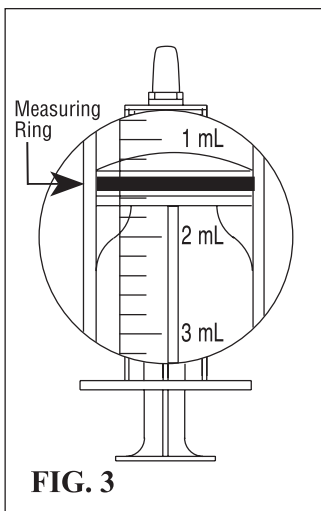


FIG. 3

6. Turn the bottle back upright and carefully remove the oral syringe from the adapter cap, holding it by the barrel rather than the plunger.
7. After administering the dose, snap the flip top lid onto the hole of the adapter cap.
8. Rinse the oral syringe in warm water and leave to dry.